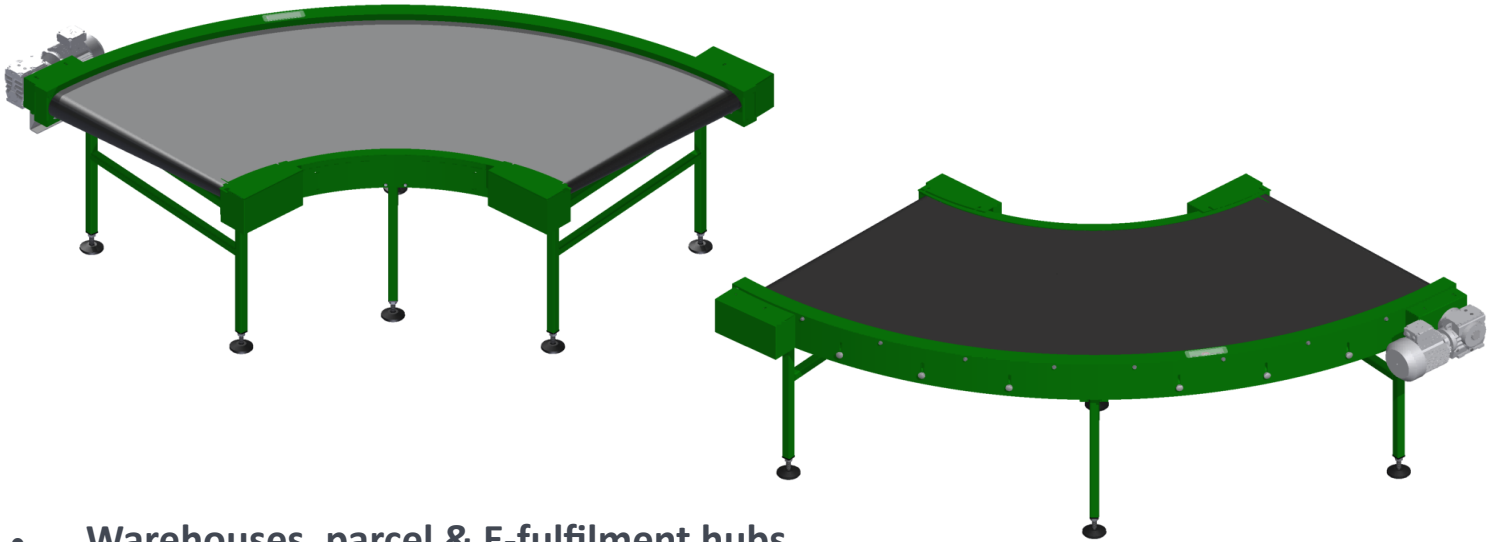




gramac TS-TR100 belt curve

intralogistics & industrial

gramac TS-TR Belt Curves are designed for use where there is a requirement to smoothly change the travel direction of products within high speed handling systems.



- Warehouses, parcel & E-fulfilment hubs
- Industrial & OEM machinery manufacturers



KEY OPERATING DATA:

| | |
|-----------------------------|-----------------|
| Conveyor centre line speed | max 2.0 m/s |
| Load capacity | max 50Kg/m |
| Conveyor angles subtended | 15° to 180° |
| Inside radius range | 300mm to 2400mm |
| Effective belt widths | 300mm to 1500mm |
| Operating temperature range | -15°C to +55°C |
| Pulley max diameter | 100mm |
| Min top of belt height | 215mm |
| Running noise | <65 dba @ 1m |
| Belt change time | <20 mins |
| Pulley bearing L10 life | 50,000 |

DESIGN ADVANTAGES:

- Friction driven on conical pulleys lagged with non-slip, wear & heat resistant material for max belt & pulley life.
- Pulley bearings greased for life for min maintenance.
- Easy to use belt tensioning and release mechanism.
- +ve belt tracking by polyurethane tyred rollers fixed on outer edge of belt running on rails in the outer frame.
- Incorporation of maintenance viewing window.
- Strong frame and slider bed fabricated in mild steel to ensure rigidity and durability, even in harsh conditions.
- Accepts most makes of geared motor units including latest high efficiency types.
- Powder coat or galvanized finish.
- Reliability and low operating costs / total costs of ownership proven at many installations worldwide.



gramac TS-TR100 belt curve

intralogistics & industrial

CONFIGURATION

| | |
|-------------------|---|
| Drive | Shaft mounted motor unit usually at discharge end. Horizontally oriented on outer radius & vertically oriented on inner radius. |
| Side-walls | Fabricated sheet steel side-walls to a max height of 450mm above top of belt. Mounting brackets and holes for PECs can be incorporated. |
| Belts | Endless belts with min no. vulcanized spliced joints. Various belt materials and surface textures can be supplied. |

| | |
|-------------------|--|
| Underguard | Removeable galvanized sheet steel panels provide underside guarding. |
| Finish | Powder coated in any standard RAL colour or galvanised for humid and exposed environments |
| Supports | 'H' type legs, outriggers for low levels or side brackets for suspending from above. Floor supports fitted with anti-vibration footpads with +/- 50mm adjustment or locking castors. |

TS-TR100 STANDARD DIMENSIONS

| Inner Radius (mm) | Belt Widths (mm) | Standard Angles (°) |
|-------------------|----------------------|---------------------|
| 300 | 300, 400 | 90°, 180° |
| 400 | 300, 400, 500 | 90°, 180° |
| 500 | 400, 500, 600 | 90°, 180° |
| 600 | 400, 500, 600, 700 | 45°, 90°, 180° |
| 700 | 500, 600, 700, 800 | 45°, 90°, 180° |
| 800 | 600, 700, 800, 900 | 45°, 60°, 90°, 180° |
| 900 | 700, 800, 900, 1000 | 30° - 180° |
| 1000 | 800, 900, 1000, 1100 | 30° - 180° |

N.B. Any angle between 15 and 180 can be manufactured.

SAFE & EASY MAINTENANCE

gramac TS-TR100 Belt Curves are safe and easy to maintain without excessive manual handling or the need for any special tools. The moving part guards are lightweight for easy removal and the heaviest part is normally the GMU at up to 35Kg. Every curve has an O&M manual with detailed explanations of the recommended periodic maintenance inspections.

APPLICABLE STANDARDS

BS EN619 : 2002,
ISO 340 (2013)
Machinery Directive 2009/127/EC

